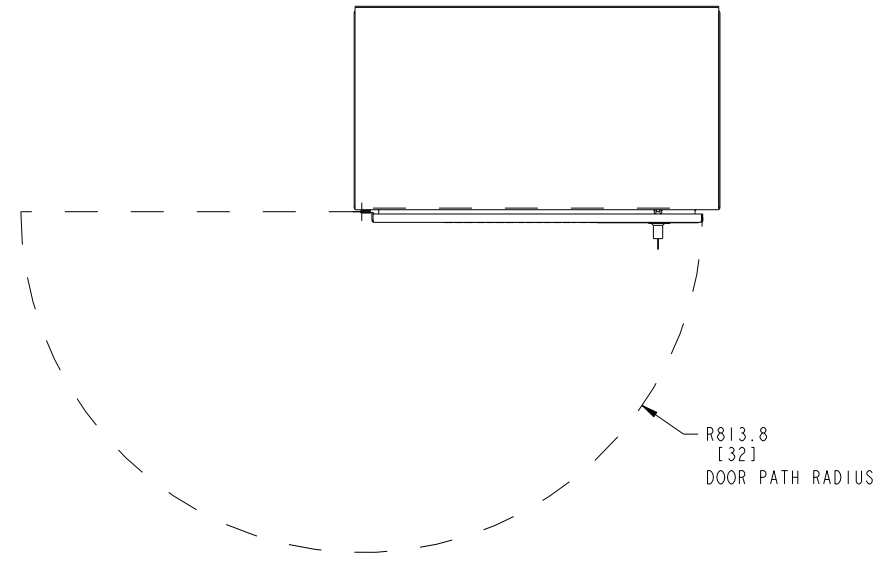
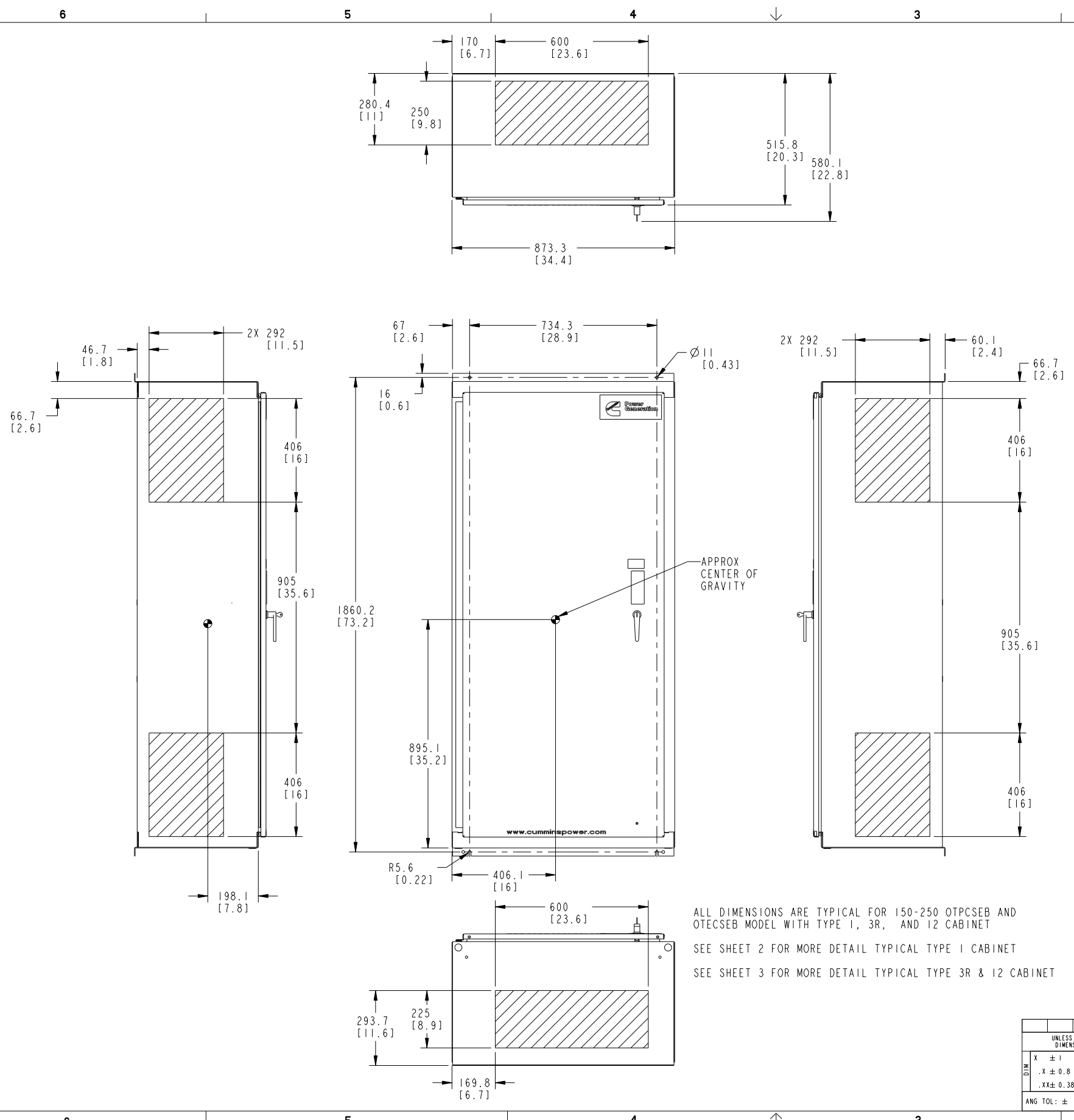


REL NO	LTR	NO	REVISION	ZONE	DWN	CKD	APVD	DATE
ECO-103382	C	1	SEE ECO FOR CHANGES DUE TO CABINET UPDATE	-	JR	JM	AA	27JAN09

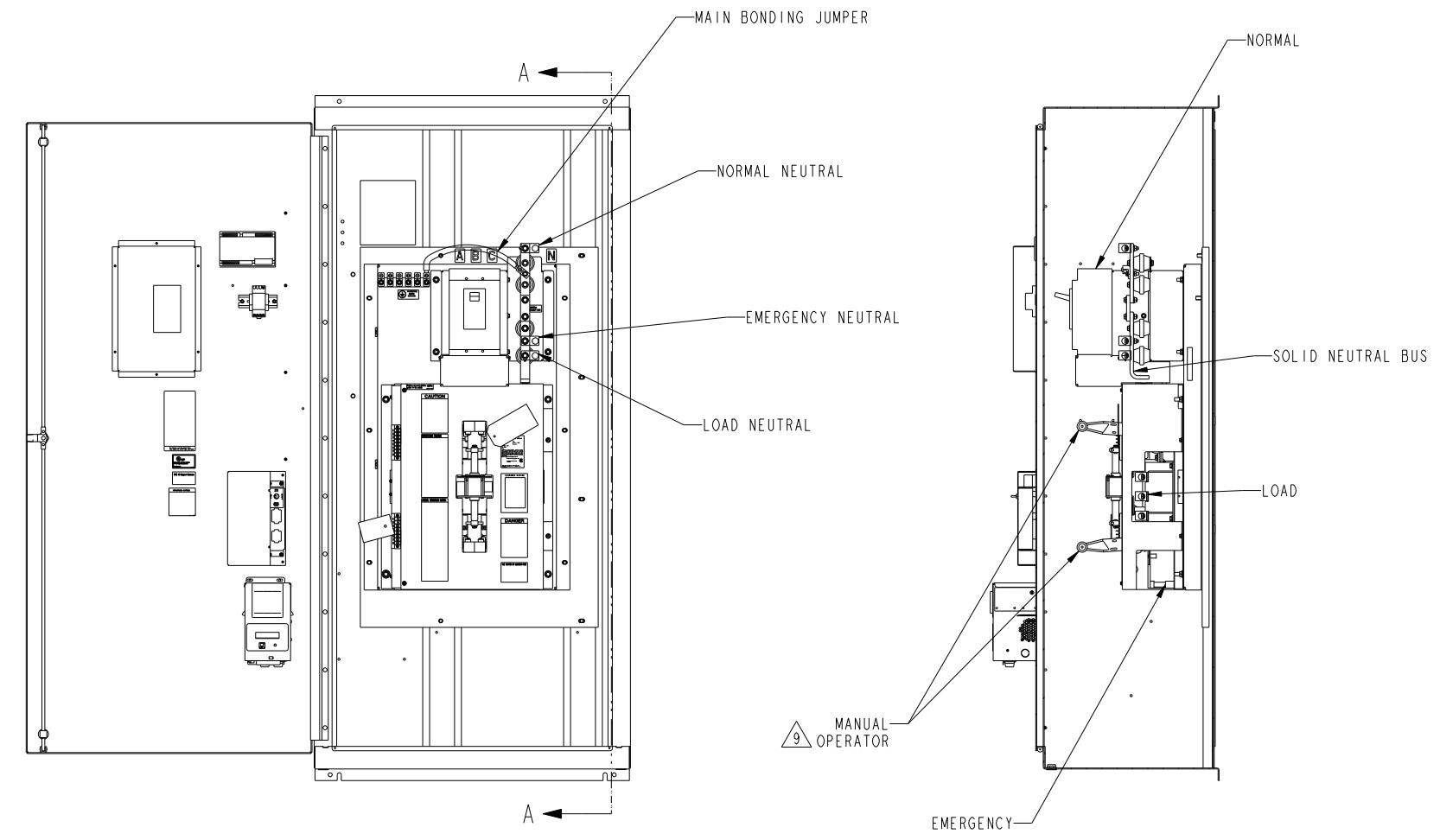
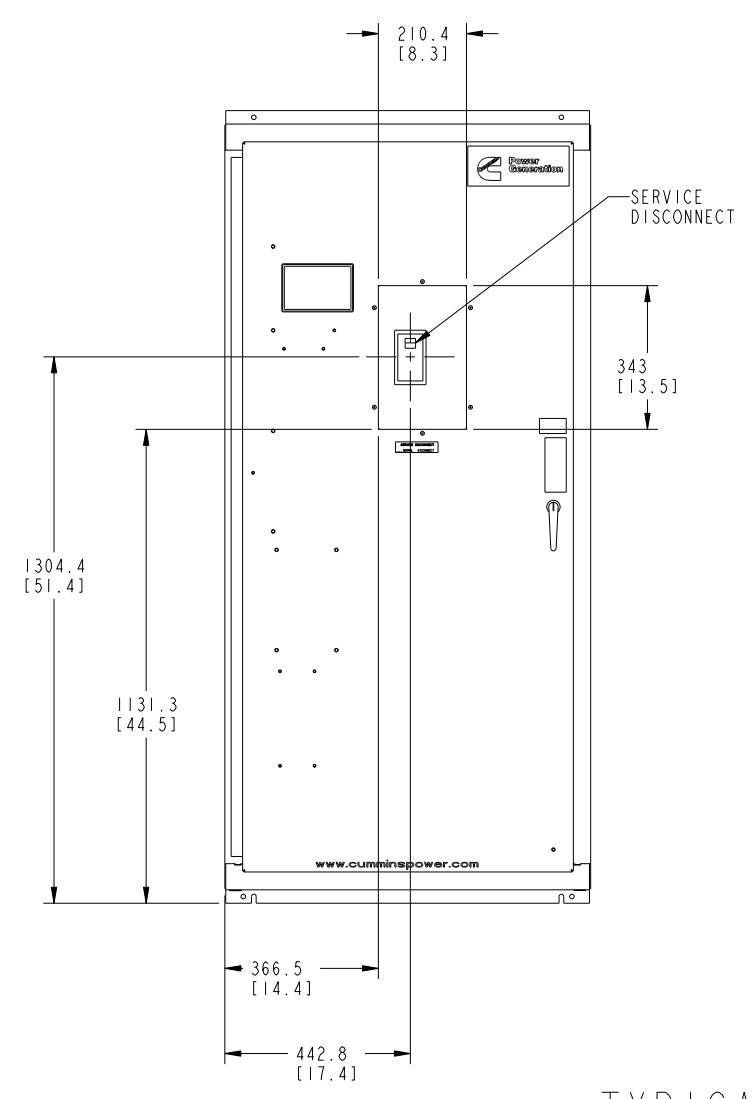


- NOTES:
- SUITABLE ONLY FOR USE AS SERVICE EQUIPMENT NORMAL SOURCE ONLY. AN ADDITIONAL DISCONNECT MUST BE READILY AVAILABLE FOR THE ALTERNATE SOURCE, UNLESS THE ALTERNATE SOURCE IS AN ACCESSIBLE GENERATOR AND CAN BE READILY SHUT DOWN.
 - APPROX WEIGHT: TYPE 1; 227 KG [500 LBS]
TYPE 3R, 12; 263 KG [580 LBS]
 - DIMENSIONS IN [] ARE IN INCHES
 - TYPE 1, 3R OR 12 WALL MOUNTED ENCLOSURE.
TYPE 1 - WITHOUT SEAL GASKET ON THE DOOR AND DRAIN HOLES
TYPE 3R - DUAL DOOR WITH SEAL GASKET OUTER DOOR AND DRAIN HOLES
TYPE 12 - DUAL DOOR WITH SEAL GASKET OUTER DOOR AND WITHOUT DRAIN HOLES
 - LUG CAPACITY
UTILITY CIRCUIT BREAKER - 2-600 MCM (1) CU/2-500 MCM (1) AL PER PHASE
EMERGENCY, LOAD AND NEUTRAL - 6-400 MCM (1) CU/AL PER PHASE
GROUND - 14-1/0 (1) CU/AL
 - USE SEPARATE CONDUITS FOR CONTROL WIRING & POWER WIRING. DO NOT COMBINE.
 - SHADED AREA INDICATES WIRING & CABLE ENTRANCE AREA. DO NOT INSTALL OUTSIDE OF SHADED AREA.
 - WIRE BENDING SPACE AND MINIMUM CLEAR SPACE IN FRONT OF UNIT CONFORM TO NEC
 - MANUAL OPERATOR SHOULD ONLY BE USED WHEN THE POWER IS DISCONNECTED FROM THE UTILITY AND GENERATOR PRIOR TO MOVEMENT OF THE OPERATOR.

ALL DIMENSIONS ARE TYPICAL FOR 150-250 OTPCSEB AND OTECSEB MODEL WITH TYPE 1, 3R, AND 12 CABINET
SEE SHEET 2 FOR MORE DETAIL TYPICAL TYPE 1 CABINET
SEE SHEET 3 FOR MORE DETAIL TYPICAL TYPE 3R & 12 CABINET

UNLESS OTHERWISE SPECIFIED, ALL DIMENSIONS ARE IN MILLIMETERS		DIM TOL		SCALE		DATE		SITE CODE		SHEET	
X ± 1	0.00- 4.99 +0.15/-0.08	DO NOT SCALE PRINT	DATE	08-15-07	PGF	0500-4606	1 OF 3				
.X ± 0.8	5.00- 9.99 +0.20/-0.10	PROPERTY OF CUMMINS POWER GENERATION GROUP		FOR INTERPRETATION OF DIMENSIONS AND TOLERANCING, SEE ASME Y14.5M-1994		FIRST USED ON		OTPCSEB/OTECSEB		SHEET	
.XX ± 0.38	10.00-17.49 +0.25/-0.13									1 OF 3	
ANG TOL: ± 1.0°	17.50-24.99 +0.30/-0.13									C	

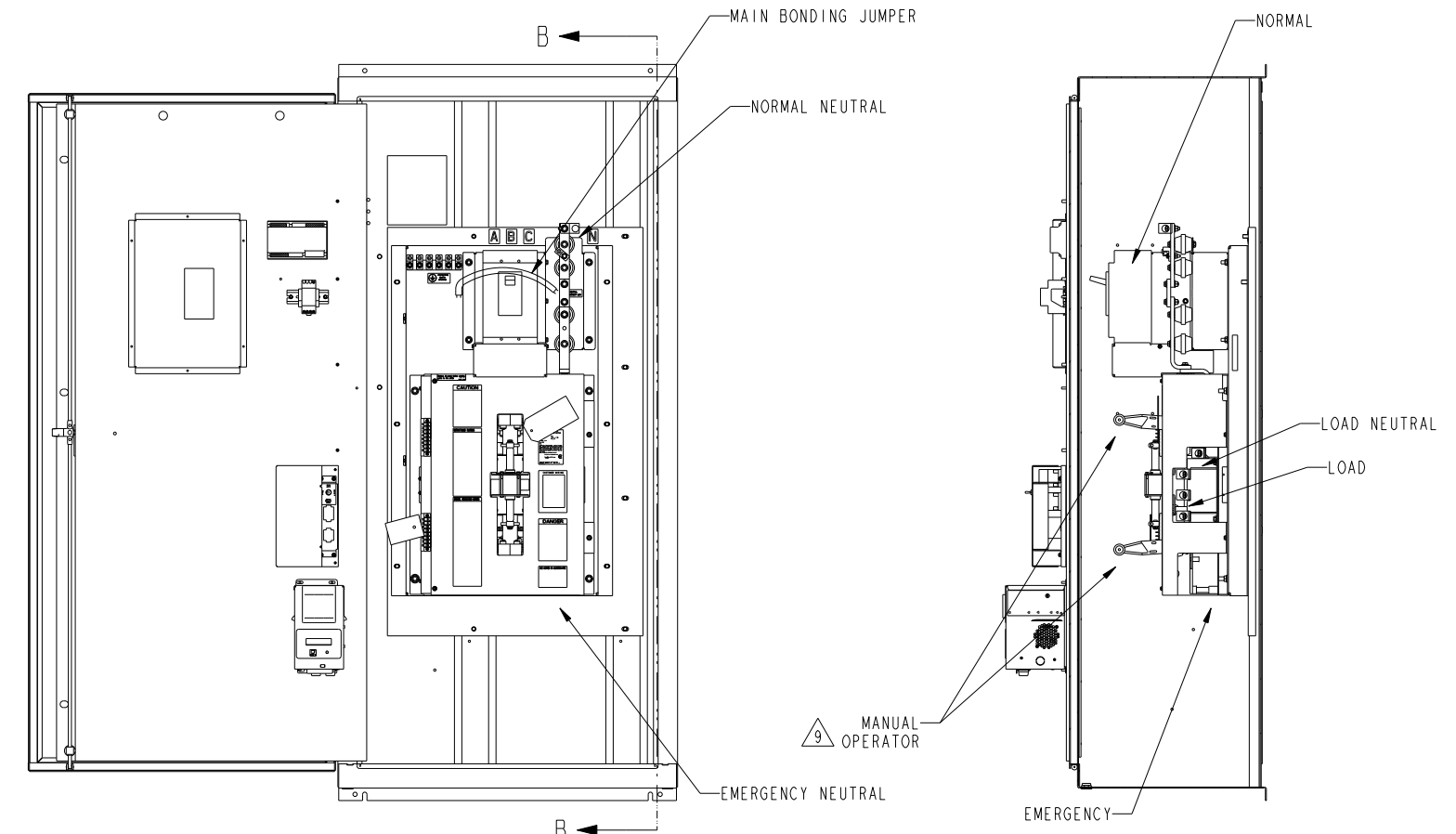
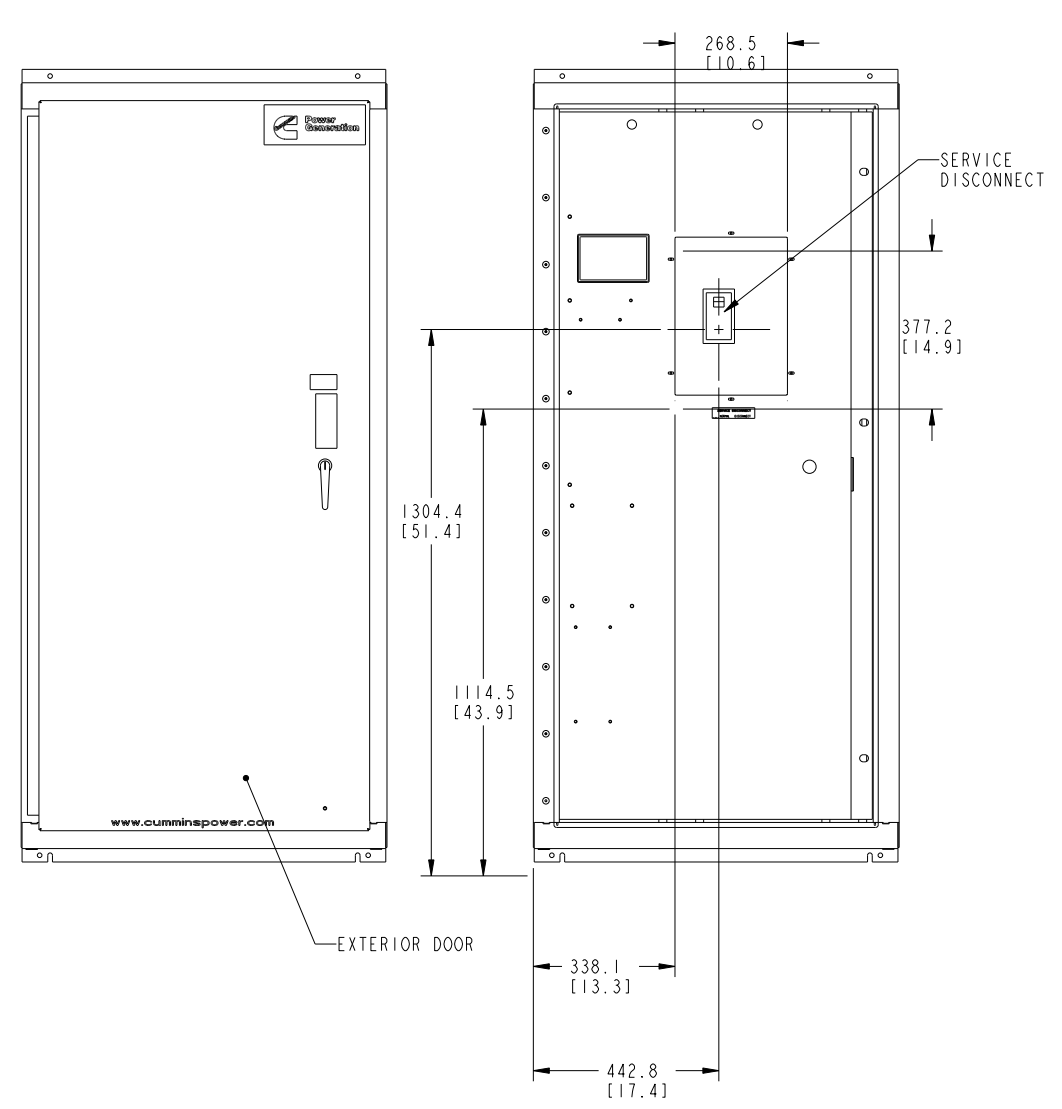
REL NO	LTR NO	NO	REVISION	ZONE	DRN	CKD	APVD	DATE
ECO-103382	C	1	SEE ECO FOR CHANGES DUE TO CABINET UPDATE	-	JR	JM	AA	27 JAN 09



TYPICAL FOR TYPE I OTECSEB AND OTCSEB MODELS
 OTECSEB 3 POLE MODEL SHOWN

UNLESS OTHERWISE SPECIFIED, ALL DIMENSIONS ARE IN MILLIMETERS		DWT		ITEM		PART NO		DESCRIPTION OR MATERIAL	
DIM	X ± 1	TOLERANCE	SIM TO		DWN		A. GRISWOLD		
	.X ± 0.8		DO NOT SCALE PRINT		CKD		J. MORLEY		
	.XX ± 0.38		PROPERTY OF CUMMINS POWER GENERATION GROUP		APVD		Y. WOO		
	ANG TOL: ± 1.0°		SCALE: 1/8		DATE		08-15-07		
SITE CODE		PGF		SHEET		2 OF 3			
CUMMINS POWER GENERATION 1400 73RD AVENUE NE, MINNEAPOLIS, MN 55432		TRANSFER SW OUTLINE		SITE CODE		D 0500-4606			
PRO/ENGINEER		C		DATE		08-15-07			

REL NO	LTR	NO	REVISION	ZONE	DWN	CKD	APVD	DATE
ECO-103382	C	1	SEE ECO FOR CHANGES DUE TO CABINET UPDATE	-	JR	JM	AA	27 JAN 09



DEADFRONT DOOR OPENED

EXTERIOR DOOR NOT SHOWN

TYPICAL FOR TYPE 3R & 12 OTECSEB AND OTPCSEB MODELS
 OTECSEB 4 POLE MODEL SHOWN

UNLESS OTHERWISE SPECIFIED, ALL DIMENSIONS ARE IN MILLIMETERS		DIM		TOLERANCE		SCALE		PROPERTY OF CUMMINS POWER GENERATION GROUP		PROPERTY OF CUMMINS POWER GENERATION GROUP		PROPERTY OF CUMMINS POWER GENERATION GROUP	
X ± 1	0.00- 4.99 +0.15/-0.08	DO NOT SCALE PRINT	A. GRISWOLD		1/8		CUMMINS POWER GENERATION		1400 73RD AVENUE NE, MINNEAPOLIS, MN 55432		TRANSFER SW OUTLINE		
.X ± 0.8	5.00- 9.99 +0.20/-0.10	DATE 08-15-07		PGF		0500-4606		SHEET 3 OF 3		C			
.XX ± 0.38	10.00-17.49 +0.25/-0.13	DATE 08-15-07		PGF		0500-4606		SHEET 3 OF 3		C			
ANG TOL: ± 1.0°	17.50-24.99 +0.30/-0.13	DATE 08-15-07		PGF		0500-4606		SHEET 3 OF 3		C			

Pro/ENGINEER

Part A019L968 C

Description	Legacy Name	External Regulations	Application Status	Release Phase Code	Security Classification	Alternates
OUTLINE, TRANSFER SWITCH	0500-4606	None	Production Only	Production	Proprietary	

Part Specifications :A019L968 C

Name	Description	Legacy Name
A019S550	DRAWING, INSTALLATION	0500-4606